



STRUCTURE

- Face lighted channel letters
- Fabricated of aluminum with 4" return
- Remote power supplies
- Paint to be Matthews Acrylic Polyurethane

ELECTRICAL

- Low voltage White LED lighting
- Integrated disconnect
- UL listed and labeled

FACES

- 3/16" White Acrylic
- 1" Jewelite trimcap
- Surface applied 3M vinyl graphics

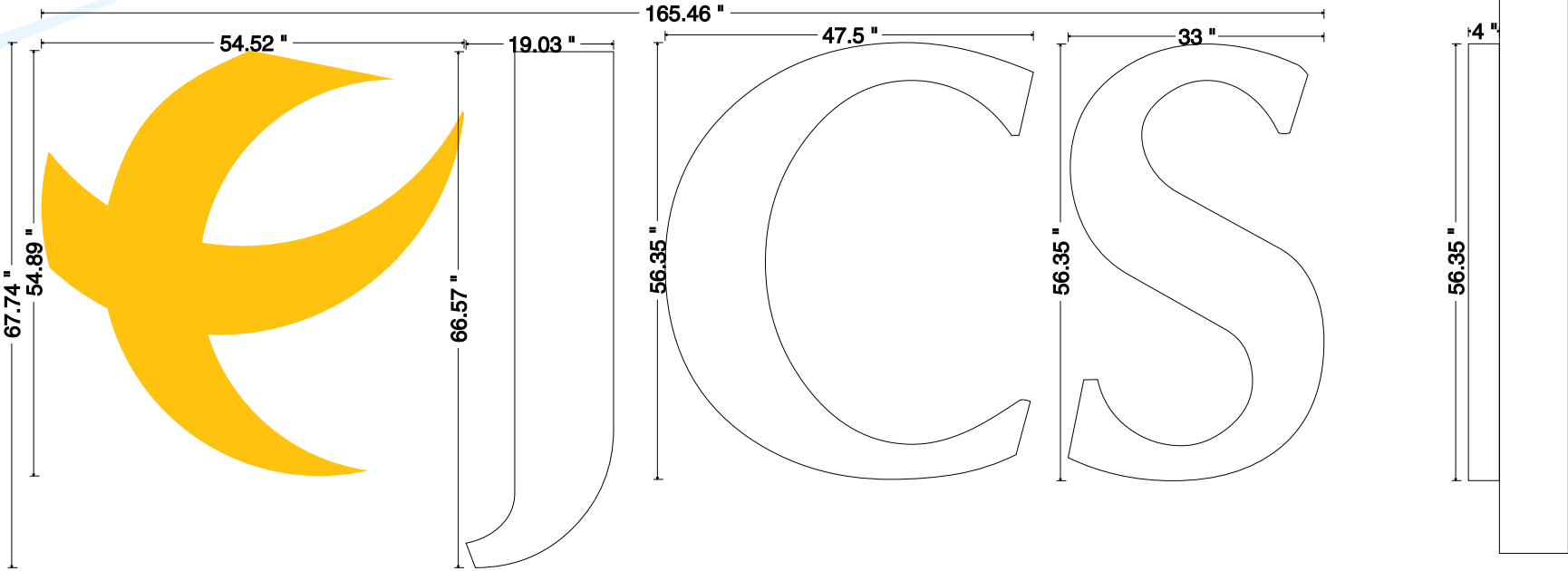


7726 Graceland Dr
Georgetown Twp, MI 49428



77.83 sq/ft

Side View



Rendering Approval: _____ Date: _____