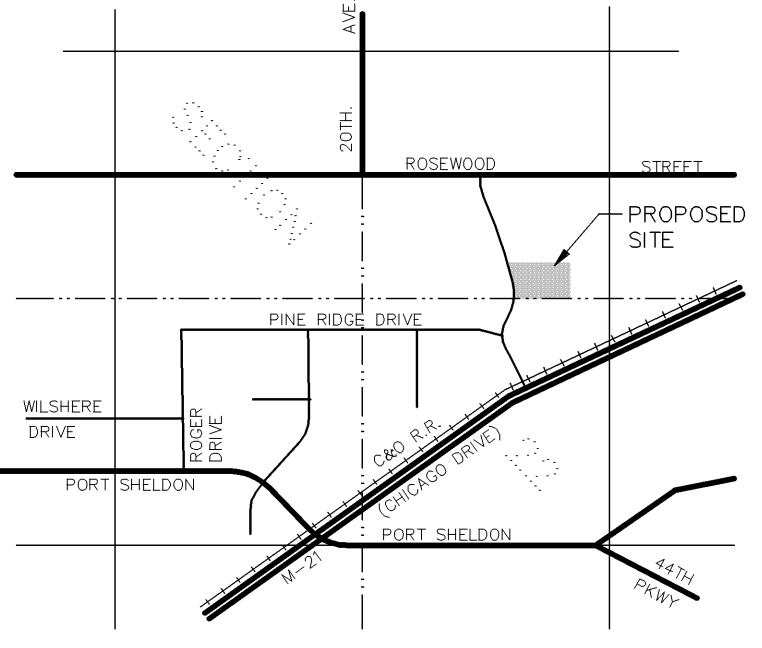


BENCHMARK ELEVATION 621.85  
TOP OF S.E. FLANGE BOLT ON  
HYDRANT 275 FT. SOUTH OF DEWENT  
DRIVE ON 18TH AVE.

CAUTION: BEFORE DIGGING CALL  
MISS DIG AT 1-800-482-7171  
FOR UNDERGROUND UTILITY  
LOCATIONS.

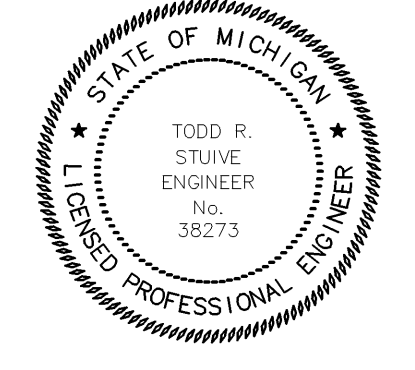
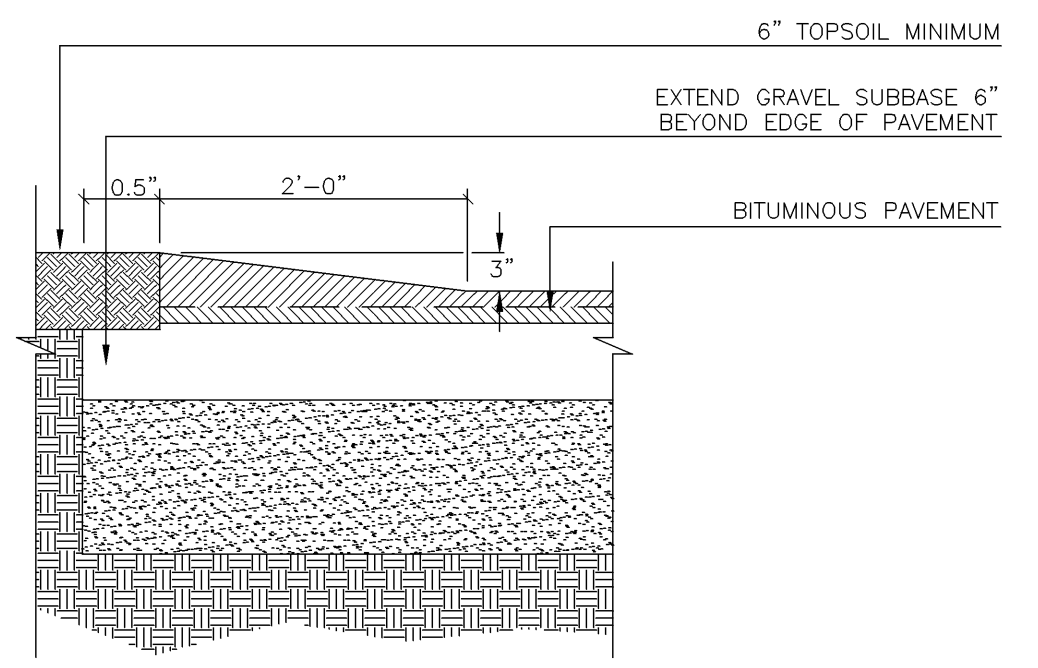
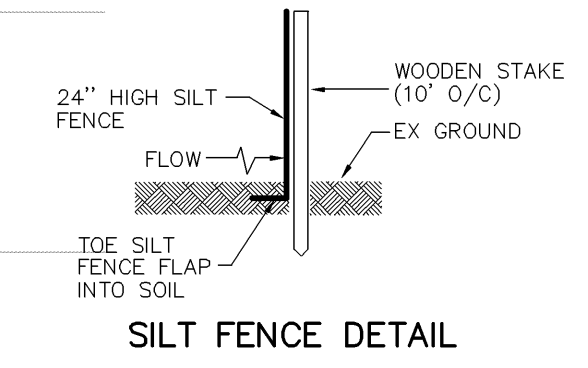


**SOIL EROSION CONTROL NOTES:**

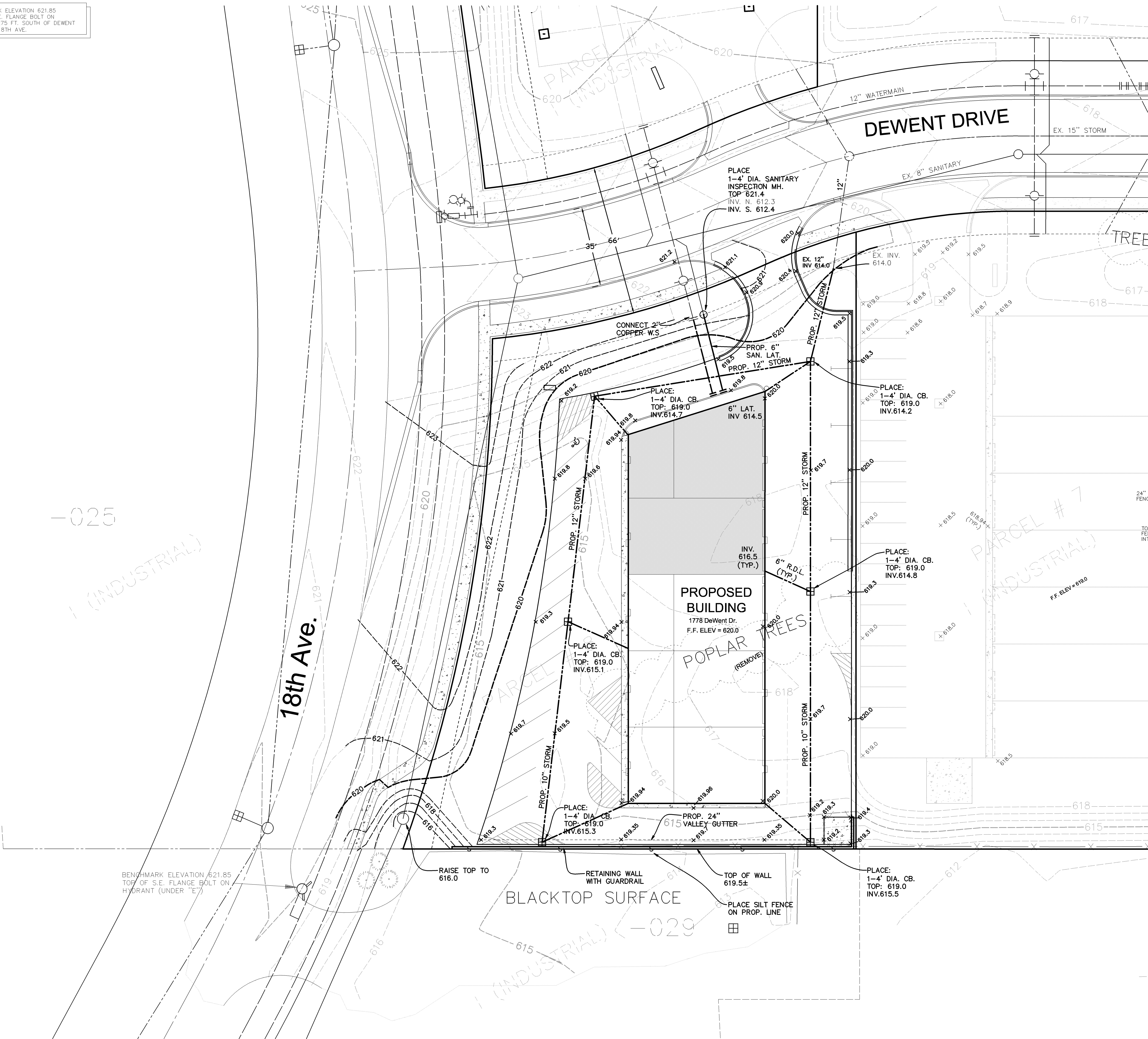
1. ALL NON-PAVED SURFACES TO BE TOPSOILED (4' MINIMUM DEPTH) AND SEEDED.
2. PROTECT ALL NEW STORM INLETS BY WRAPPING INLET GRATE W/ FILTER FABRIC UNTIL PAVING IS COMPLETE.
3. INSTALL ALL SILT FENCE PER DETAIL AS SHOWN ON THIS SHEET.

**STORM SEWER NOTES:**

1. ALL 4' DIA. CATCH BASINS WITHIN BLACKTOP PAVING SHALL HAVE 2' DEEP SUMPS AND USE E.J.I.W. #5105 CASTING.
2. ALL 4' DIA. CATCH BASINS WITHIN 24" VALLEY GUTTER SHALL HAVE 2' DEEP SUMPS AND USE E.J.I.W. #7065 CASTING.
3. ALL STORM SEWER SHALL BE ADS N-12 OR APPROVED EQUAL.
4. ALL ROOF DRAINS SHALL BE PVC SDR-35 OR APPROVED EQUAL.



SCALE: 1" = 20'



**SITE UTILITIES & GRADING PLAN PARCEL #8** - Georgetown Office Center  
FOR: Doug Butterworth - Creekside Construction Inc. 3672 Chicago Dr. Hudsonville, MI 49426  
IN: PART OF THE NE 1/4, SECTION 22, T6N, R13W, GEORGETOWN TOWNSHIP, OTTAWA COUNTY, MICHIGAN

REVISIONS: _____ _____ _____		 5252 CLYDE PARK, S.W. • GRAND RAPIDS, MI. 49509 PHONE (616) 531-3660 FAX (616) 531-2121	drawing number <b>E F</b> . . . . . L:\051140\dwg\051140.dwg 9-14-05 Rev. per G.T.T. P.C. (rdm) DATE: 08-24-05
DRAWN BY: RDM APPROVED BY: TRS FILE NO.: 051140E SHEET: 2 OF 2 DATE: 08-24-05	PROJECT: _____ DRAWING: _____		